

1. Introduction

These instructions describe how to safely install an APC Symmetra Rack Mount PDU.

Carefully read these instructions in their entirety before continuing.

WARNING!

Only qualified service personnel or electricians may perform the following procedure. The electrical terminals exposed in the following procedures will be energized if the UPS is on or plugged in. Make sure the UPS is both unplugged and off. Make sure that the UPS' DC battery system has been discharged. Refer to Users Manual for instructions.

2. Required Materials and Tools

NOTE: Wiring codes and requirements differ from area to area. Be sure to conform to all local electrical requirements when installing and wiring this UPS.

The following tools are required for installation:

#2 Phillips Screwdriver

3. Installation

This section provides step-by-step instructions for removing and installing a PDU to a Symmetra Rack Mount UPS. The images depict a typical PDU installation.

3.1 Remove Existing Panel

1. Remove the 4 screws that retain the PDU panel as shown in Fig. 3.1 and set aside.
2. Disconnect the two connectors by squeezing the two ears on the connector and gently pulling it from its mating connector. Set aside the removed PDU.

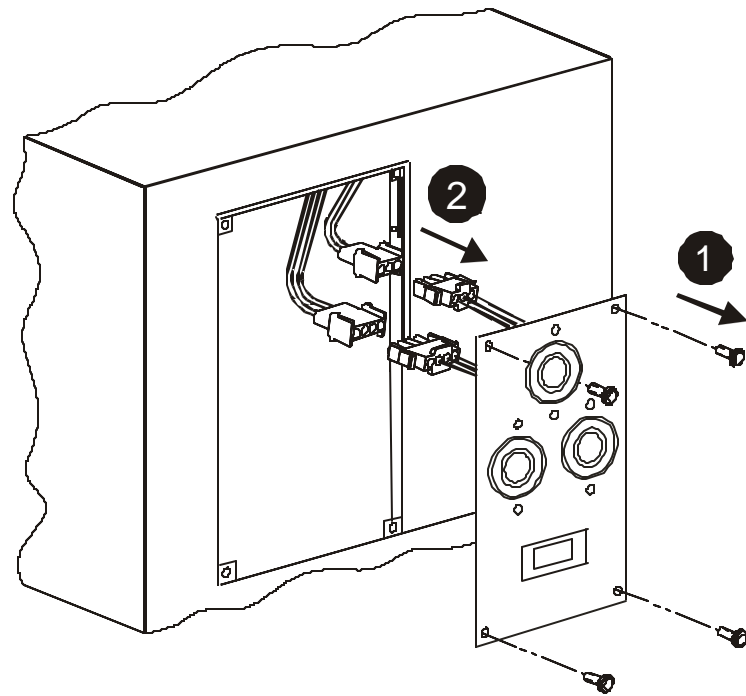


Figure 3.1 Remove Existing PDU

3.2 Install New Panel

3. Remove new PDU from its box and install new PDU by first reconnecting the connectors as shown in Fig. 3.2
4. Check fit of wiring by installing panel without securing screws. Adjust wires as needed. Reattach the 4 screws and tighten.

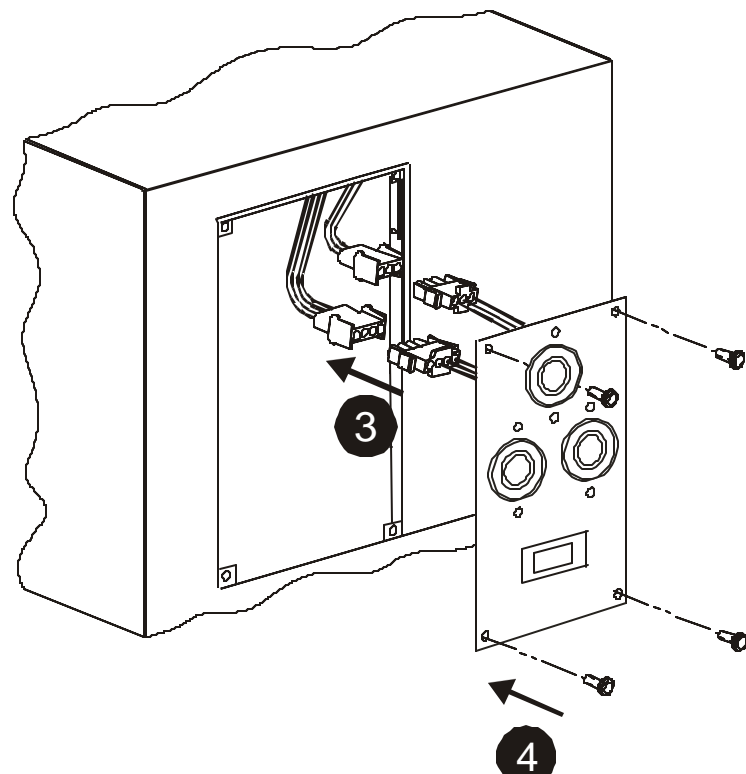


Figure 3.2 Install New PDU