

RBC27 Installation Guide

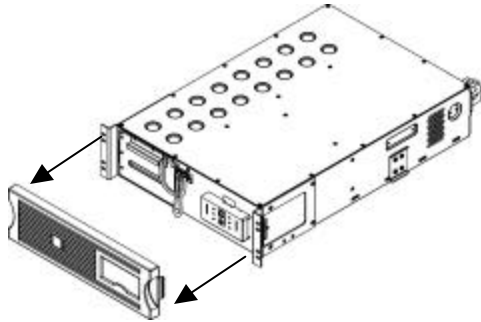


Due to its weight, two people are required to install the battery module.

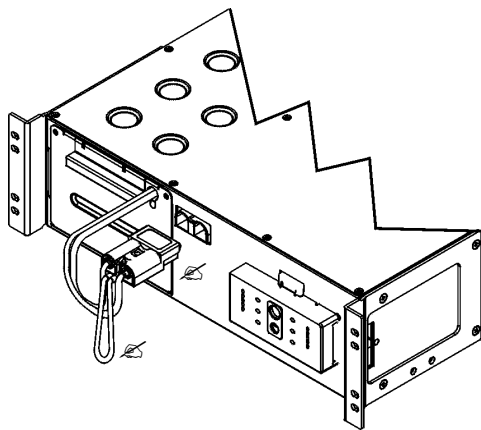


18–32 kg (40–70 lb)

REMOVING THE BATTERY MODULE



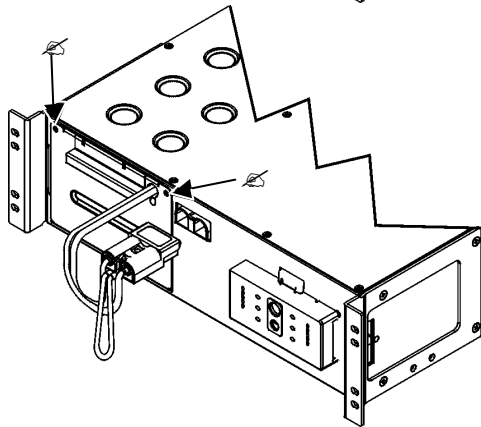
1. Using both hands, one on either side of the bezel remove it by pulling it away from the UPS chassis. Set aside.



The battery module is accessible from the front of the UPS (shown at left). This procedure requires a Phillips screwdriver.

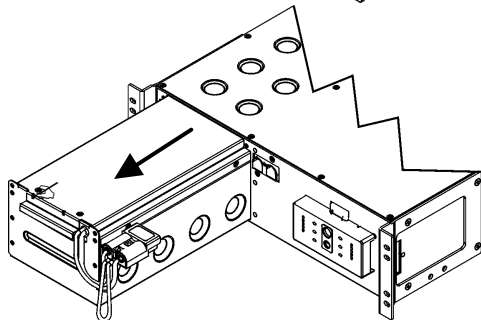
2. Locate the white cord \approx attached to the battery module connector plug \approx . Grasp the cord and pull firmly toward you until the connector plug is disconnected.

DO NOT pull the battery module cables.



3. Use a screwdriver to remove the two battery module mount screws located at the top corners of the faceplate \approx .

Set the screws aside in a safe place. You will replace them later.

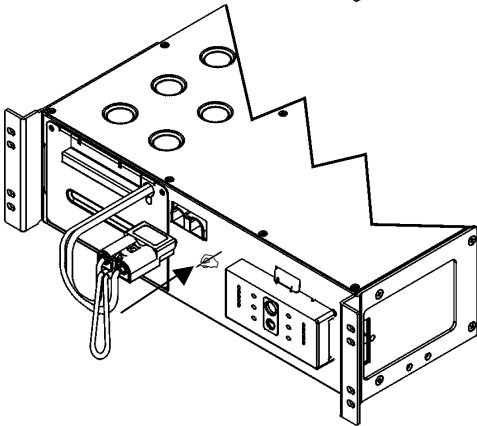
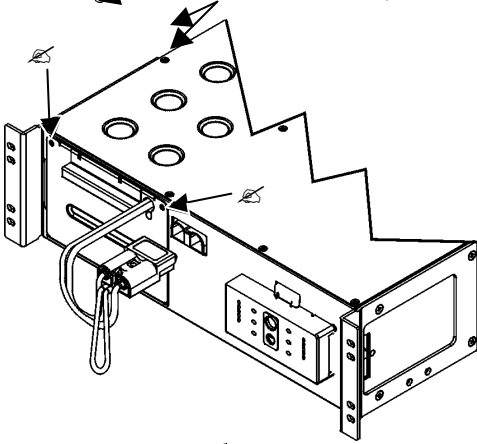
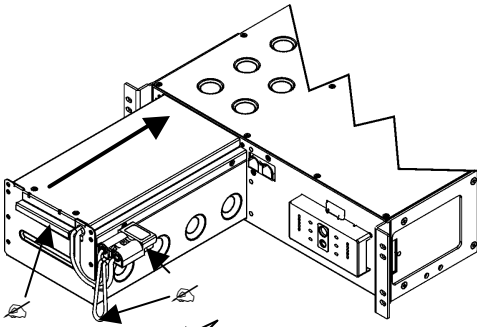





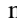
4. Locate the battery module handle at the top of the battery faceplate \approx .
5. Be careful during this step—the battery module is heavy.

Pull the battery module handle toward you to slide the battery module out of the UPS.

DO NOT pull on the battery cables or the white cord.

Installing the Replacement Battery Module



6. Align the battery module into the opening by holding the battery handle  and the bottom of the battery module as you slide the battery module into the UPS. **DO NOT** use the battery cables or the white cord  as a means of support when sliding the battery module into the UPS chassis.
7. Be careful during this step—the battery module is heavy.
8. Use a screwdriver to re-install the two battery module mount screws located at the top corners of the faceplate .
9. Connect the battery wire connector into the mating connector in the UPS chassis .
10. Re-attach front bezel. Align the tabs on the side of the bezel with the slots on the front of the UPS and gently snap it into place.
11. Re-pack the old battery module and send it to the recycling center using the pre-paid shipping label. For recycling information see the recycling information sheet included with this module.