



by Schneider Electric

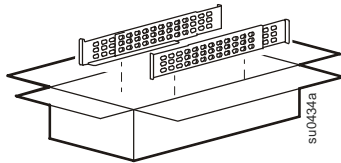
Tower to Rack-Mount Conversion Guide Smart-UPS™ On-Line SRTRK2

Package Contents

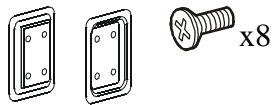
Inspect the contents upon receipt. Notify the carrier and dealer if the unit is damaged.

All Models

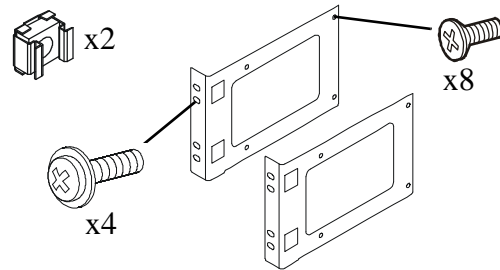
One Rail Kit with instructions and hardware for installing rails in a rack.



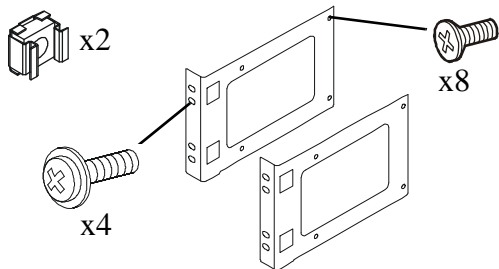
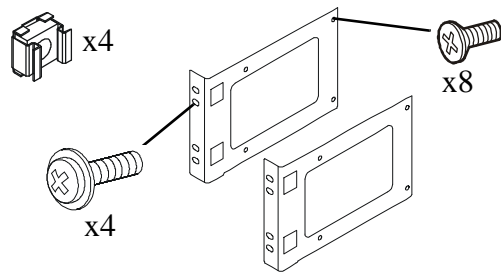
Rail cleats



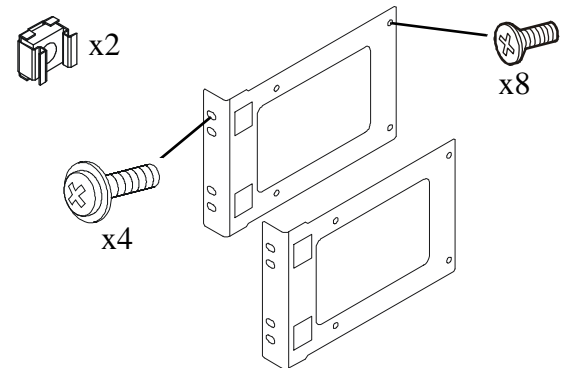
SRT5K, 3U models and external battery packs



SRT8K/SRT10K, 6U models



SRT6K, 4U models



Tower to Rack-Mount Conversion

Actual models may differ in appearance from those depicted in these graphics. Installation process is identical for all models.

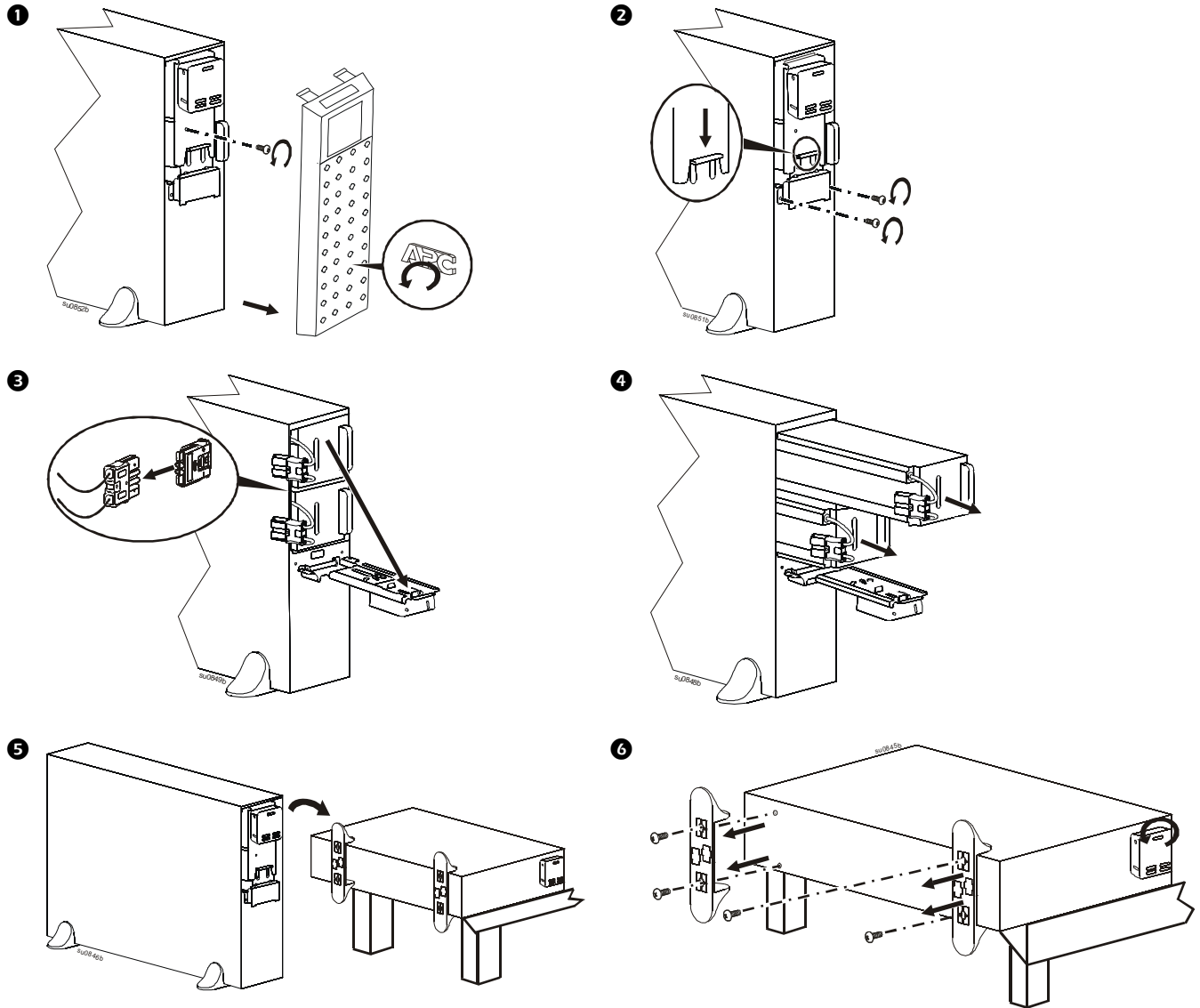
⚠ CAUTION

DAMAGE TO EQUIPMENT OR PERSONNEL

- The equipment is heavy. Each battery module weighs 17 kg (37 lb).
- Always practice safe lifting techniques adequate for the weight of the equipment.
- Remove the battery modules before installing the UPS.
- Use the battery module handle to carefully slide the battery module in or out of the unit.
- Do not use the battery module handle to lift or carry the battery module.

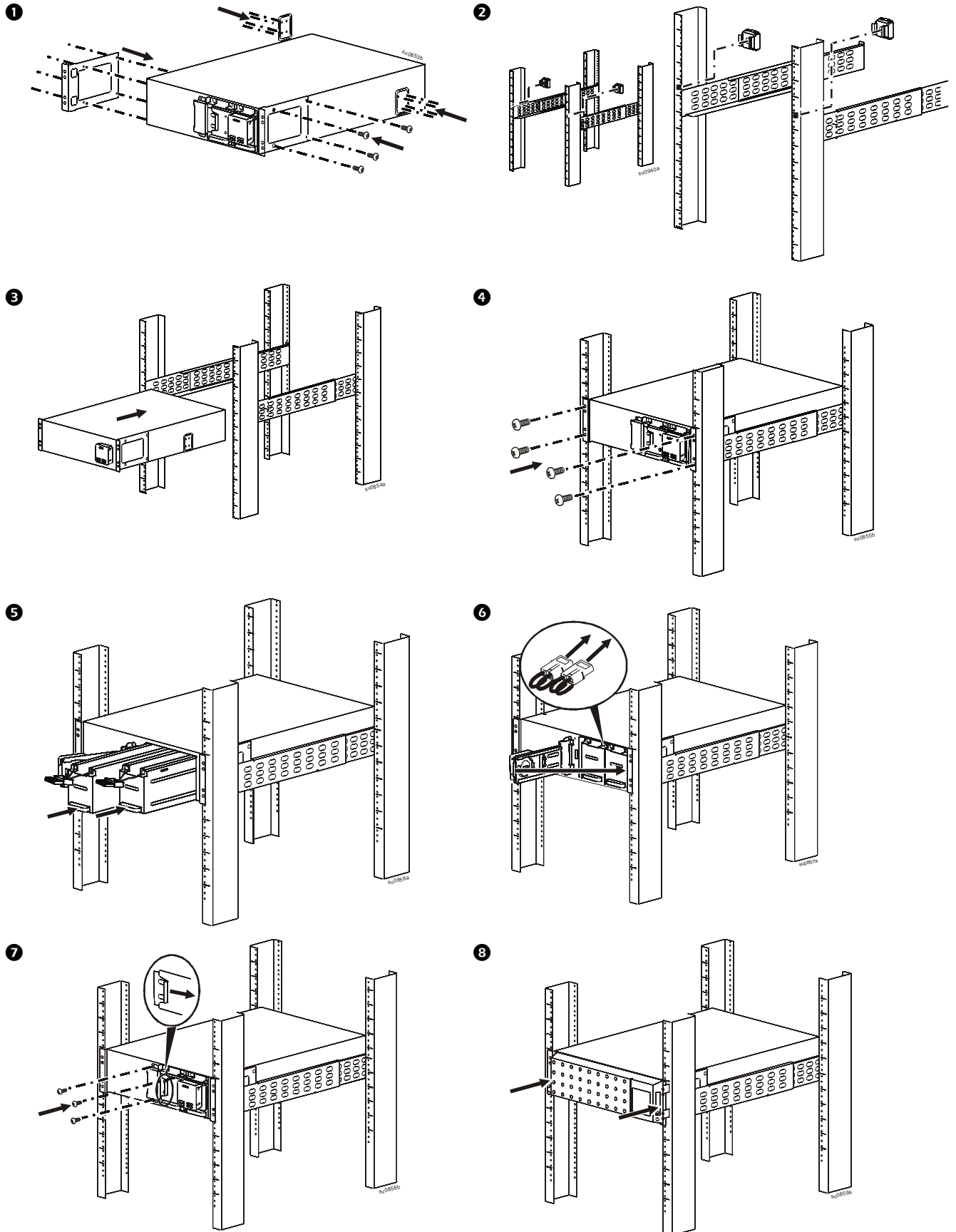
Failure to follow these instructions can result in equipment damage and minor or moderate injury.

SRT5K/SRT6K UPS and SRT5KTFJ model



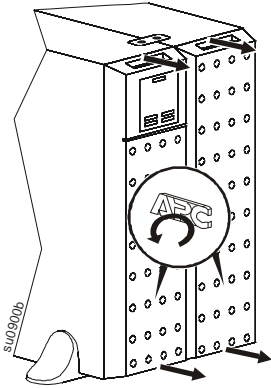
Install the SRT5K/SRT6K and SRT5KTFJ model in a rack

Refer to the rail kit Installation Guide for instructions on rail installation.

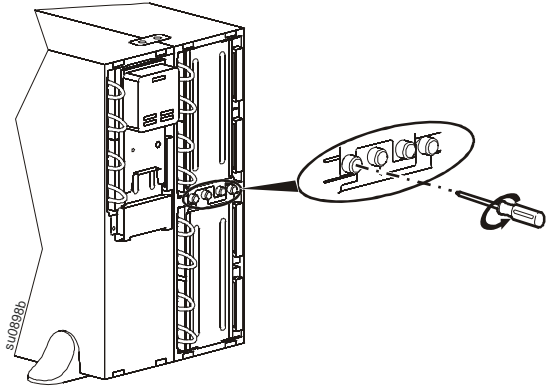


SRT5K/SRT6K UPS with one external battery pack

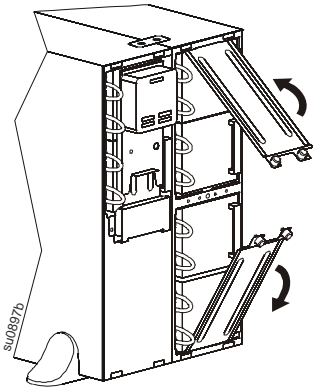
1



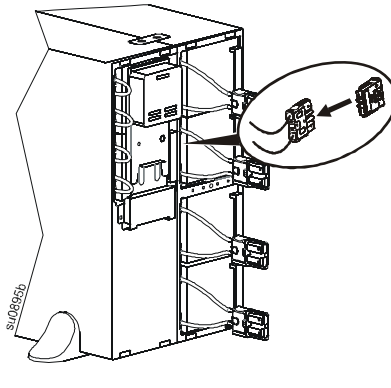
2



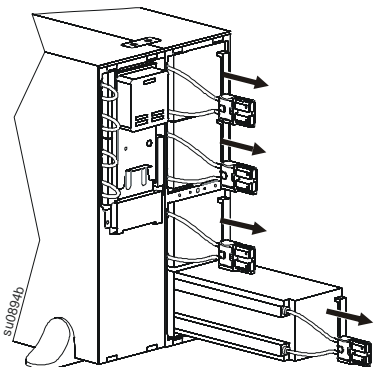
3



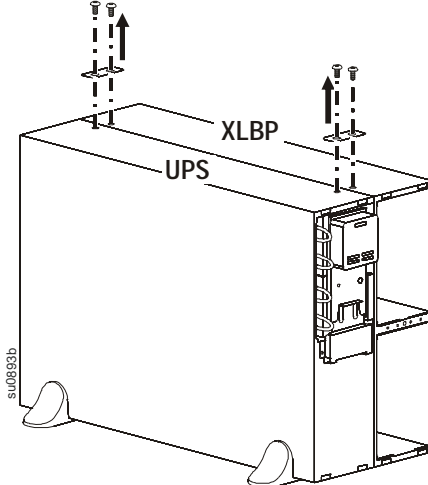
4



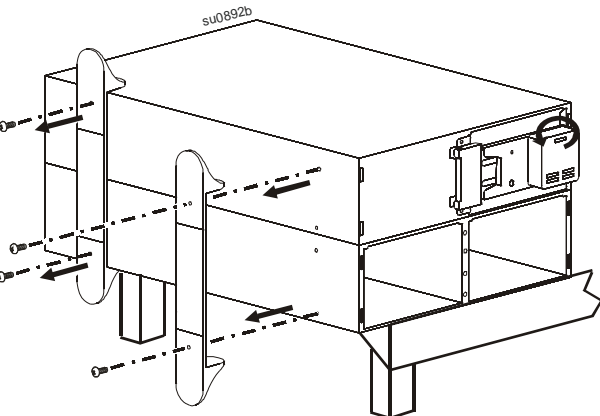
5



6



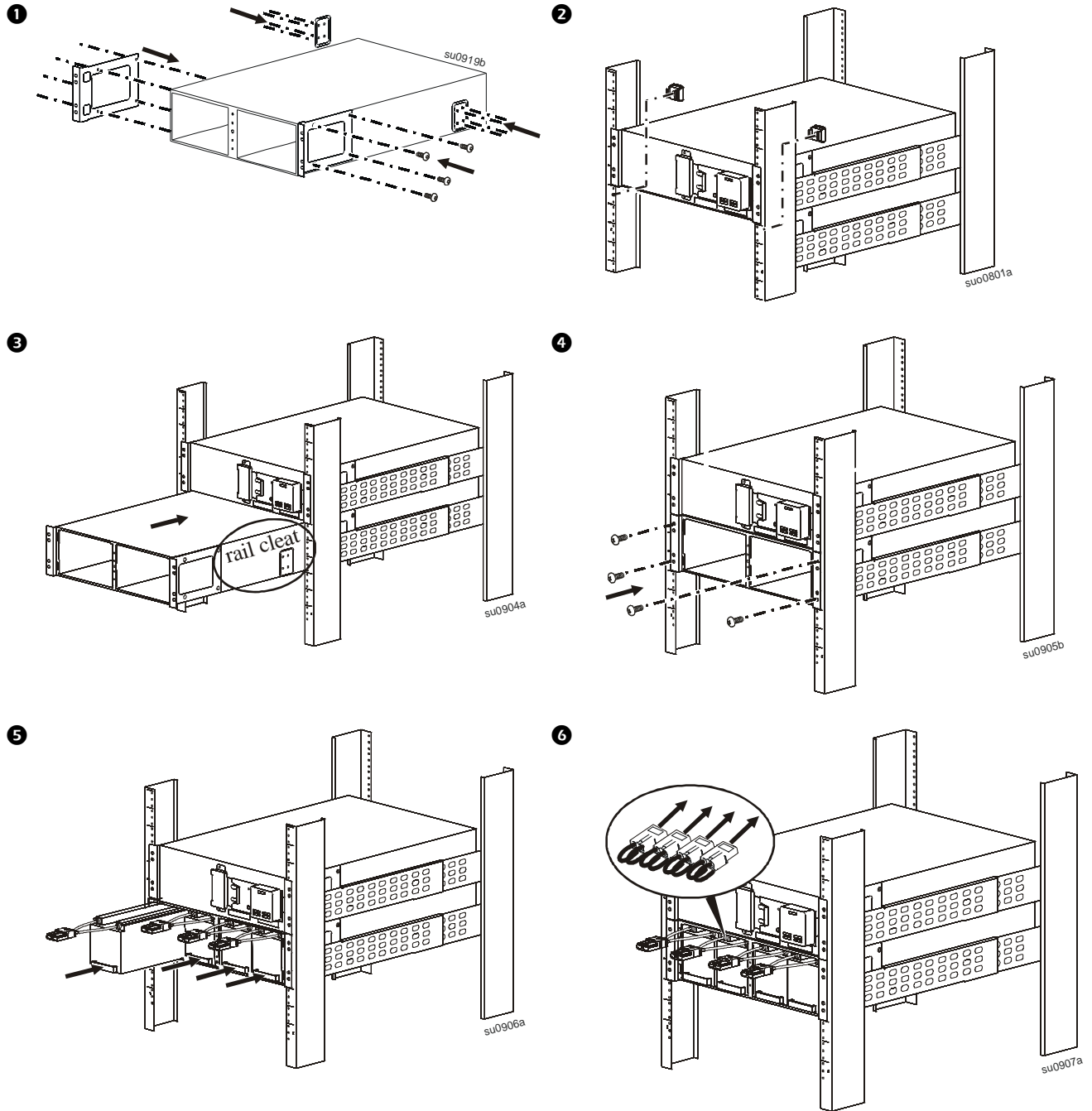
7



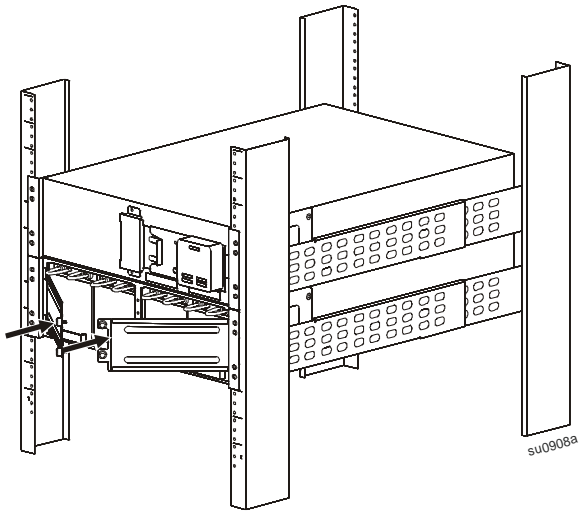
Install the SRT5K/SRT6K with one external battery pack in a rack

The process for installation of an external battery pack with UPS models SRT8K/SRT10K models is identical to that described for the SRT5K/SRT6K models.

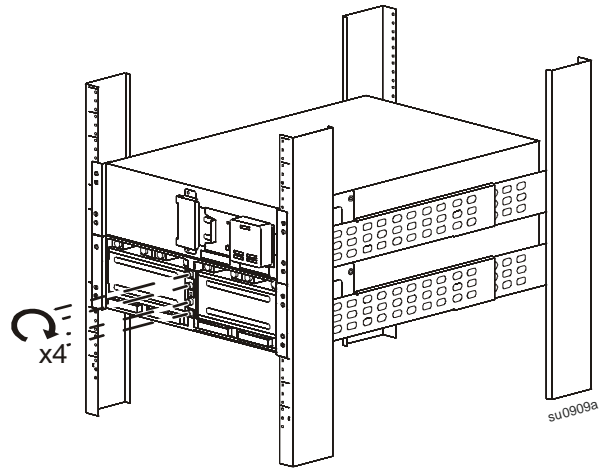
Refer to the rail kit Installation Guide for instructions on rail installation.



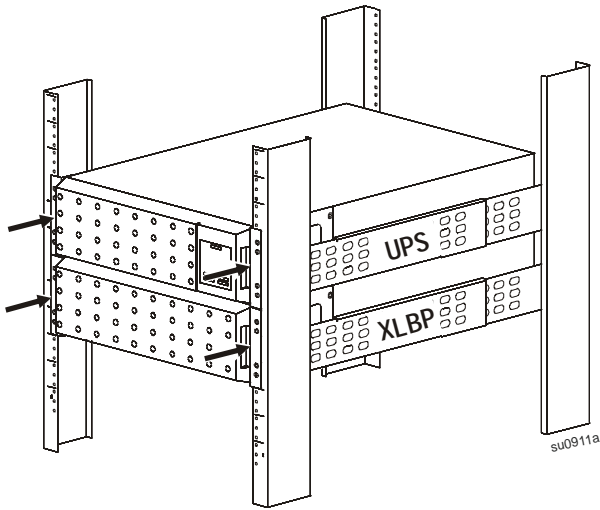
7



8

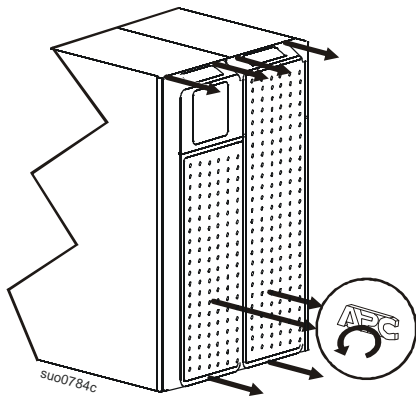


9

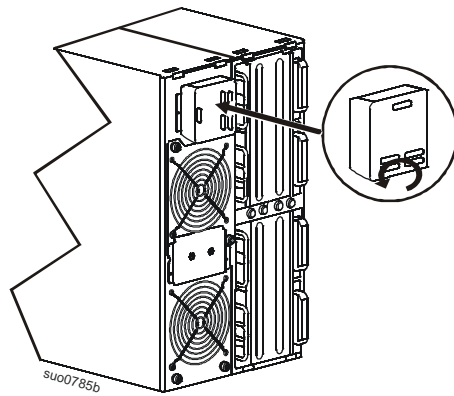


SRT8K/SRT10K UPS

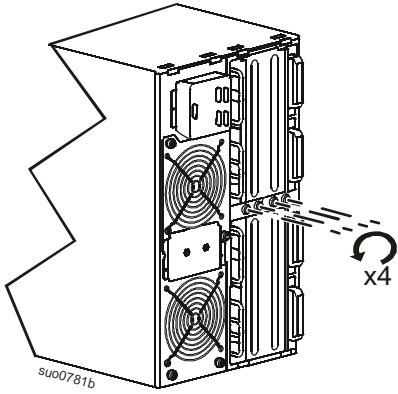
1



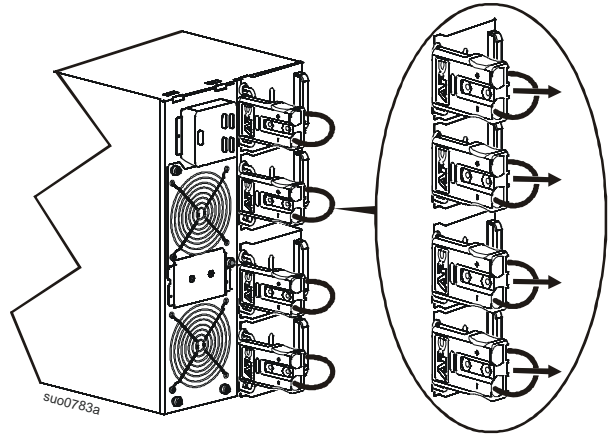
2



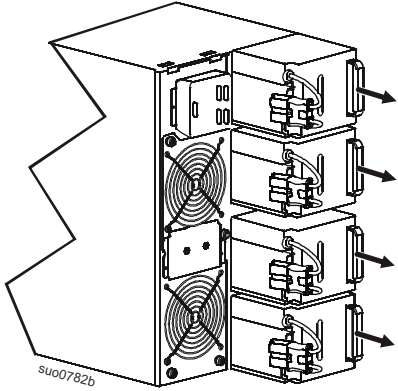
3



4



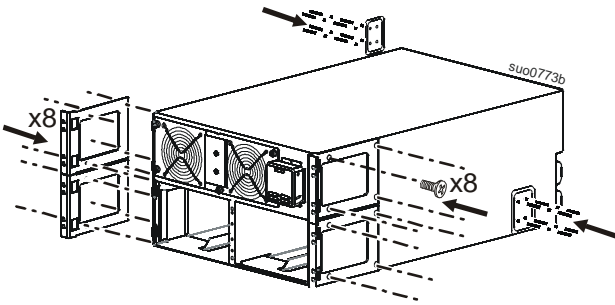
5



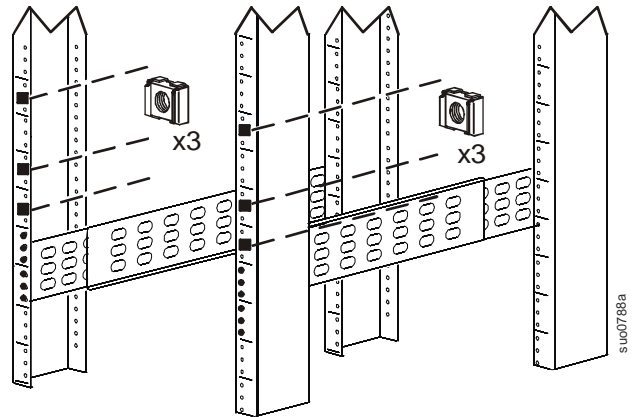
Install SRT8K/SRT10K UPS in a rack

Refer to the rail kit Installation Guide for instructions on rail installation.

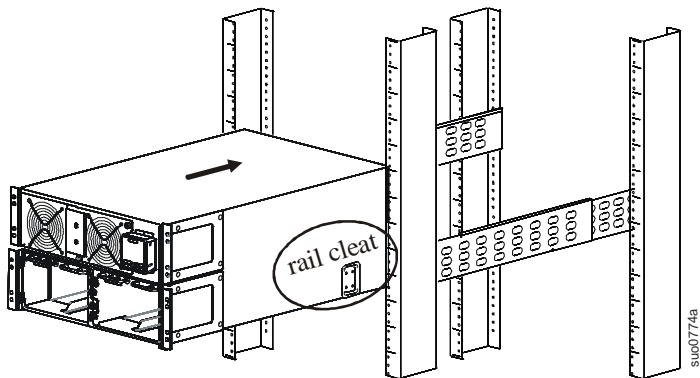
1

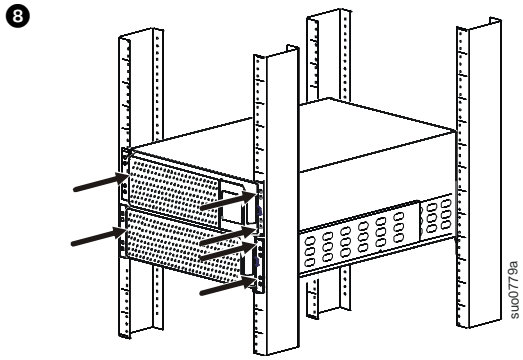
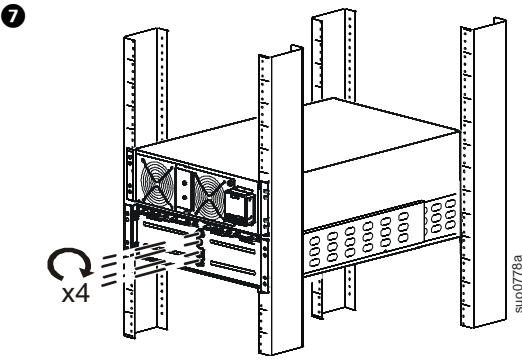
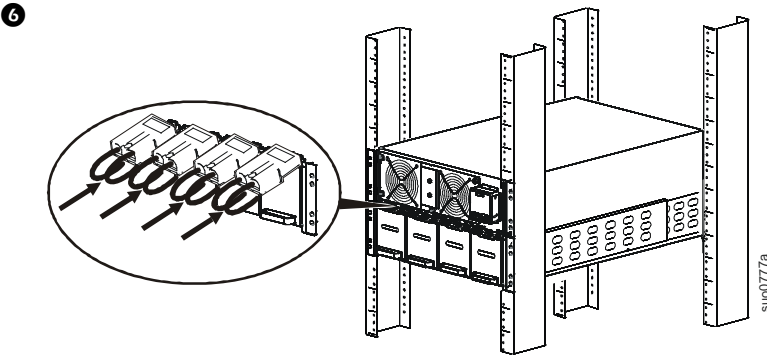
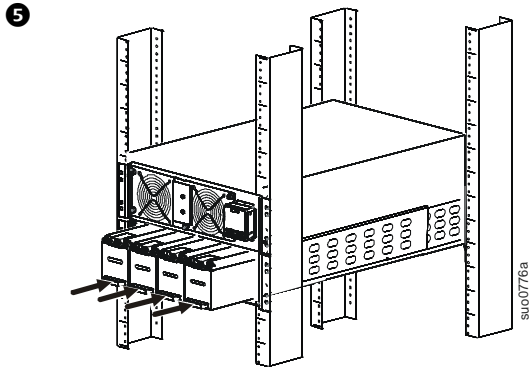
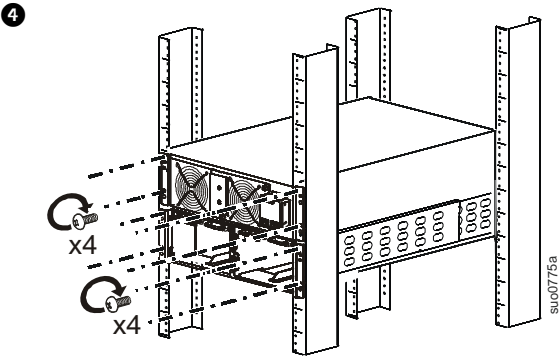


2



3





The process for installation of an external battery pack with UPS models SRT8K/SRT10K models is identical to that described for the SRT5K/SRT6K models.

Refer to the installation process described in the section, **Install the SRT5K/SRT6K with one external battery pack.**

Customer support and warranty information is available at the APC by Schneider Electric web site, www.apc.com.

© 2015 APC by Schneider Electric. APC, the APC logo, Smart-UPS and PowerChute are owned by Schneider Electric Industries S.A.S. or their affiliated companies. All other trademarks are property of their respective owners.

EN 990-5288A
10/2015