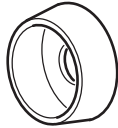


19 in. EIA Horizontal Cable Organizer for NetShelter™ SX or VX

AR8425A, AR8426A, AR8428

Inventory



Plastic Cup Washer (4)

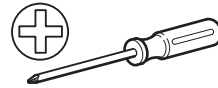


M6 x 16 Phillips slot screw (4)



Cage Nut (4)

Tools required

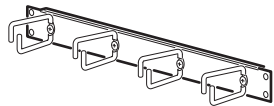
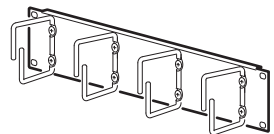
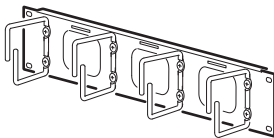


Phillips Screwdriver (not provided)



Cage nut Tool (provided)

NOTE: Kit provides hardware, tools, and one of the following Cable Organizers.

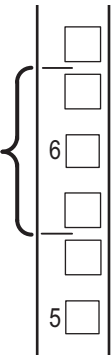
AR8425A	1U Horizontal Cable Organizer		Route cables horizontally on the front or back of the 19 in. EIA cabinet.
AR8426A	2U Horizontal Cable Organizer		
AR8428	2U Horizontal Cable Organizer w/Pass-through		Route cables horizontally or front to back.

Cage Nuts

NOTE: Read and follow the manufacturer's installation instructions for your rack-mount equipment.

Locate the top and bottom U-space on the vertical mounting rails. Every third hole on the mounting rails is numbered to indicate the middle of a U-space.

1U



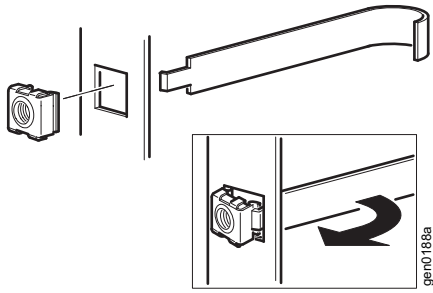
NOTES:

Install cage nuts horizontally, with the ears engaging the sides of the square hole.

Install the cage nuts on the interior of the vertical mounting flange.

ns1768a

ns0014a



Installation:

From inside the enclosure, insert the cage nut into the square hole.

Hook one ear of the cage nut assembly through the far side of the hole.

Place the cage nut tool on the other side of the cage nut and pull to snap into position.

⚠ CAUTION

HAZARD OF FALLING EQUIPMENT

Never install cage nuts vertically with the ears engaging the top and bottom of the square hole. This will result in insecure mounting for rack-mounted equipment.

Failure to follow these instructions can result in injury or equipment damage.

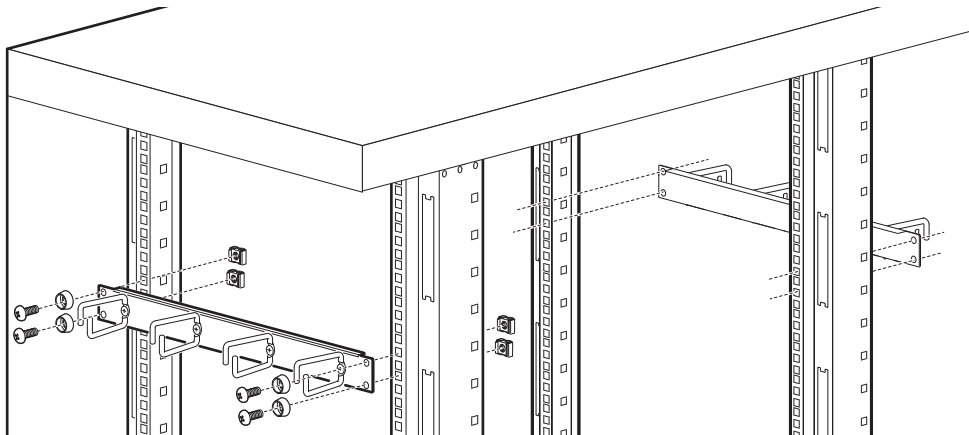
Removal:

Remove any attached screw.

Grasp the cage nut and squeeze the sides to release it from the square hole.

Installation

1



2

